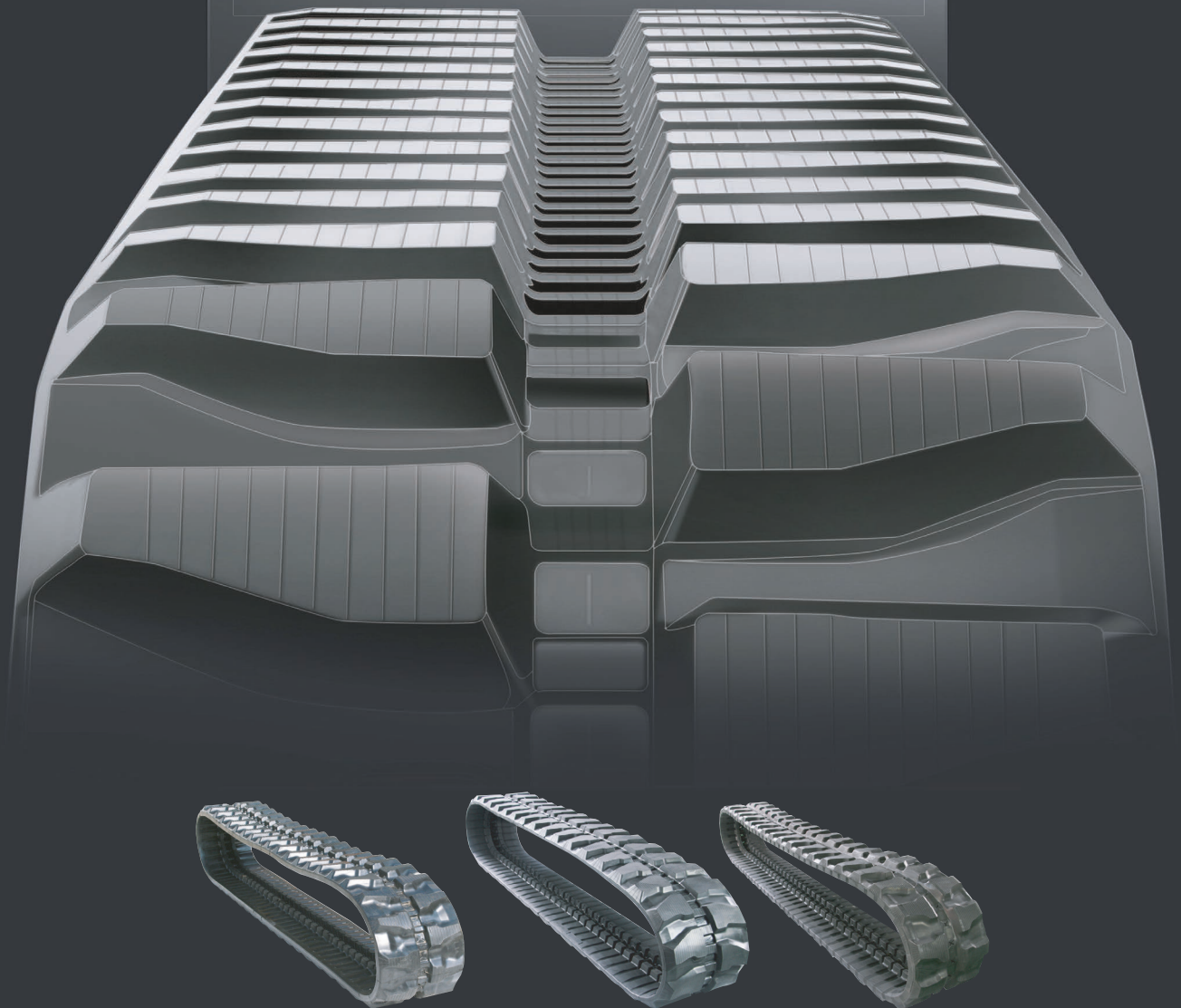




RUBBER TRACK



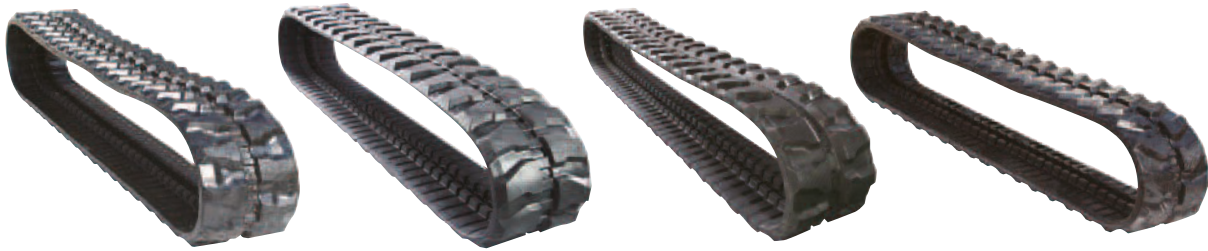
Rubber Track Warehouse
0800 66 87 22



QUALITY FOR THE VALUE
RUBBER TRACK

OUR STRENGTH

RUBBER TRACK



- Equivalent manufacturing process and QC standard with Japanese OEM customers.
- High technology applied on natural rubber compound, containing average 65% natural rubber, provides longer lifespan and driving comfort.
- Using Continuous type Steel Cords, compared to Overlapping type-the steel cords at a single joint, provide up to 40% more durability.
- AVT (Anti Vibration Track) type is also being developed.
 AVT provides less fatigue to the operator and provide excellent driving comfort.
- The Widest Range of Rubber Track to support our partners to distribute in the world market.

RUBBER PAD

- Equivalent manufacturing process and QC standard with Japanese OEM customers.
- High technology applied on natural rubber compound, containing average 65% natural rubber, provides longer lifespan and driving comfort.
- Provide Chain-on Type, Bolt-on Type and Clip-on Type with wide range.
- More models are being developed upon customer's request.

PRODUCTION CAPACITY

RUBBER TRACKS



SALES NETWORK



- AMERICA
- JAPAN
- EUROPE
- AUSTRALIA
- NEW ZEALAND
- AFRICA
- SOUTH EAST ASIA



QUALITY FOR THE VALUE
RUBBER TRACK

APPLICATION FOR :

CAT, KOMATSU, HITACHI, BOBCAT, KUBOTA, VOLVO, JCB, KOBELCO, JOHN DEERE, YANMAR, TAKEUCHI, IHI and even more.



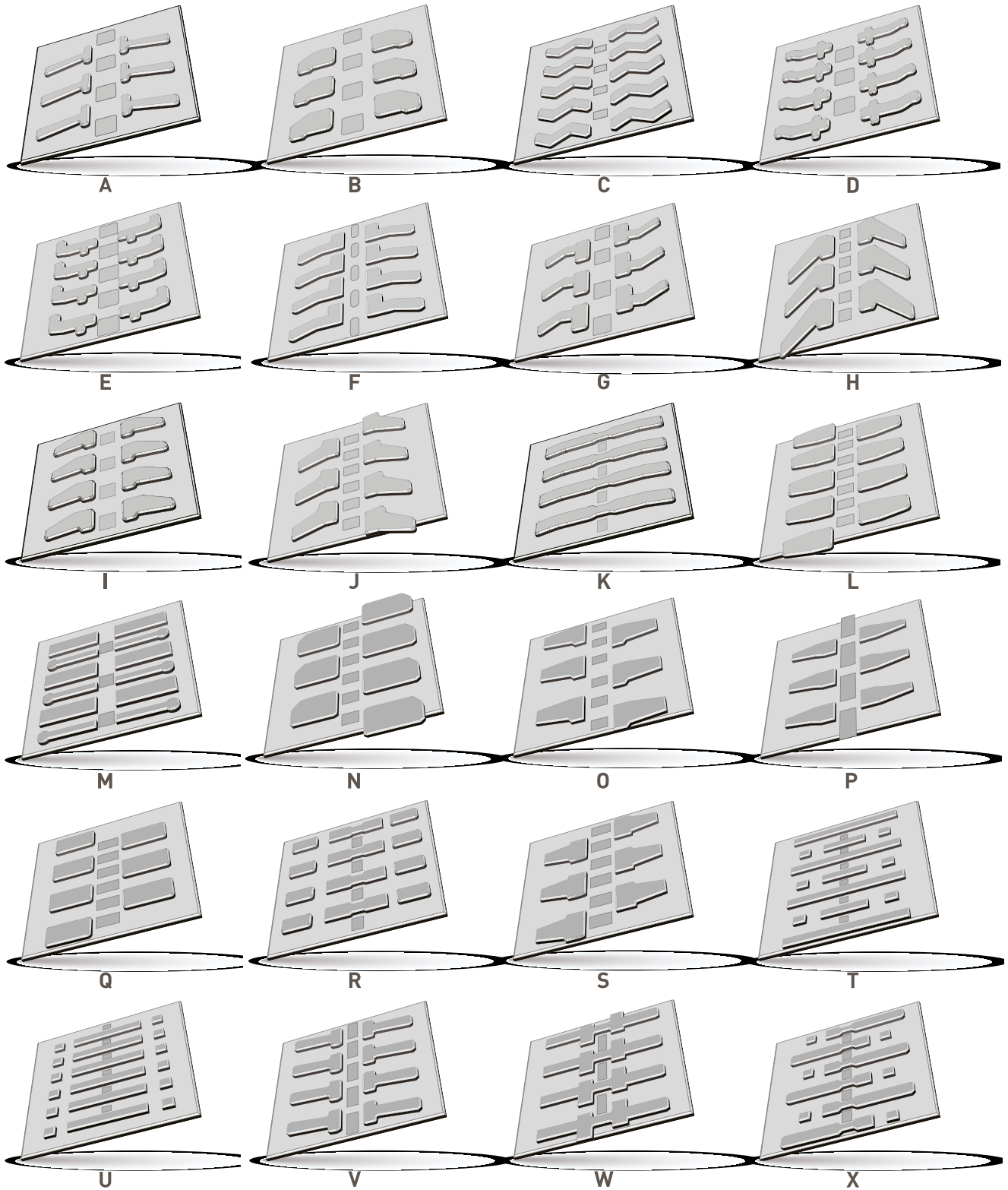
Ways to get the most use out of GSK Rubber Tracks

- After installation, make sure to check the track's tension level.
(Recommended tension level can be checked by lifting the machine and checking the distance between center roller and track, which should be in the range of 10 ~ 15mm)
- Keep the Tracks away from any foreign substances, especially oil or grease.
It can be cleared easily by wiping off.
- Avoid quick turns and movements on sharp edged surface or in project areas.
- Keep Idlers, Rollers and Sprockets in good status. If worn parts are used, it may damage the iron teeth of the track.
- Avoid direct corrosion between rubber tracks and any other objects.
- After using, please keep the track clean. Especially, if the machine will not be used for a long time, it is highly recommended to be kept indoors to prevent from direct sunlight or rain.

QUALITY FOR THE VALUE

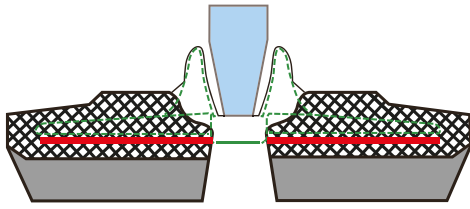
RUBBER TRACK

▼ TREAD PATTERN

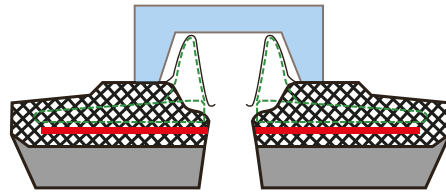




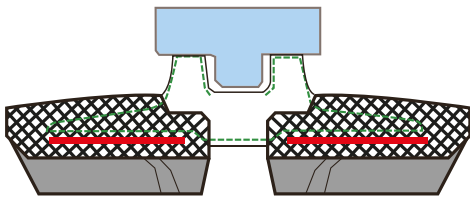
▼ ROLLER TYPE



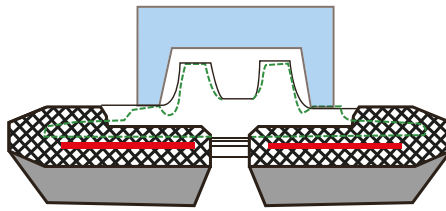
A



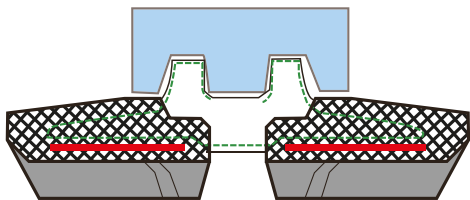
B



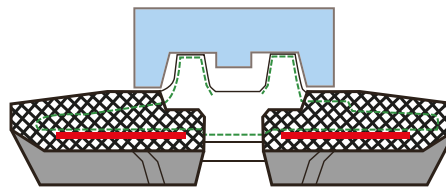
C



D

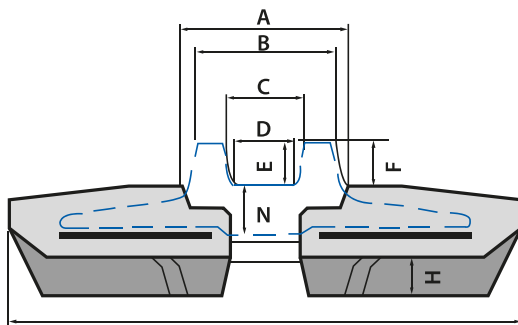


E

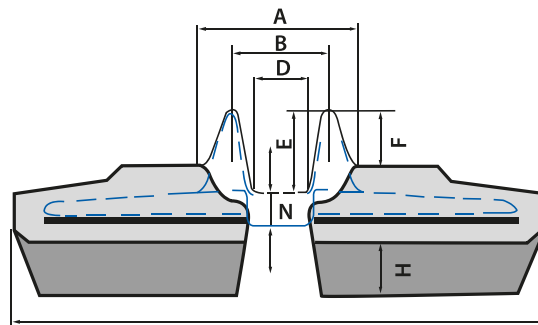


F

▼ TECHNICAL PARAMETER



TECHNICAL PARAMETERS TYPE 1



TECHNICAL PARAMETERS TYPE 2

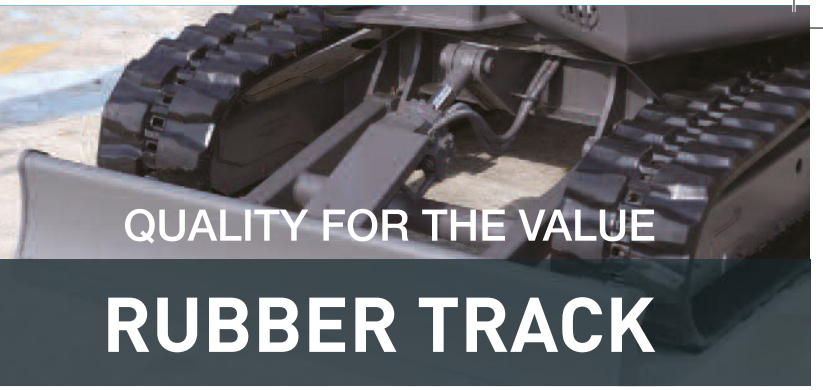
QUALITY FOR THE VALUE

RUBBER TRACK

▼ TECHNICAL PARAMETERS

Unit : mm

SIZE	A	B	C	D	E	F	PATTERN	ROLLER TYPE
150x60	64	55	35	22	24	24	D	A,B
150x72	64	50	39	23	30	30	E	A,B
180x60	64	50	38	24	27	27	C	A,B
180x72A	64	50	38	23	28	28	A	A,B
180x72B	62	53	37	21	22	19	V	B
190x72	67	48	40	22	27	26	V	A,B
200x72A	65	50	38	24	27	24	V	A,B
200x72B	66	52	40	23	30	30	B	B
230x48	76	63	30	25	22	23	J	C
230x72	74	56	40	24	32	32	A	A,B
230x96	74	66	30	26	23	23	G	C
230x101	76	66	32	26	23	23	W	C
250x47	70	62	30	23	23	19	J	
250x48.5	66	59	32	24	21	24	O	D,E
250x52.5A	76	64	36	30	24	26	O	C,E
250x52.5B	78	68	35	30	23	28	P	D
250x72	80	62	43	24	30	28	G	A,B
260x96	72	62	30	24	22	22	F	D
260x109	84	76	36	30	24	28	P	C,E
280x72	78	61	45	23	29	24	R	A
280x106	80	72	40	32	28	28.5	I	D
300x52.5A	84	72	36	32	26	20	H	C,E
300x52.5B	95	84	46	41	24	20	H	C,E
300x52.5C	84	76	36	34	28	26	J	D
300x53	88	78	36	33	26	20	H	D
300x55A	82	74	35	30	29	27	H	C,E
300x55BY	90	72	50	30	21.5	27.5		D
300x55.5	79	72	35	30	21	27	S	D
300x109A	78	66	36	31	27	28	S	C,E
300x109B	86	74	34	26	25	30	J	C
300x109C	92	84	45	40	26	29	O	C,E
320x52.5	82	72	35	30	23	20	S	C,E
320x54	82	70	40	30	23	22	P	C,E
320x84	102	82	62	44	46	36	K,L,R	A,B
320x86	84	66	52	36	42	32	K,L,R	D
320x90	85	66	54	39	47	32	K	B
320x100	86	68	52	36	33	28	P	A,B
320x106	84	72	34	30	32	30	I	D
350x52.5	90	80	48	40	25	23	O	C,E
350x54.5	96	87	44	40	24	23	O	D
350x56A	92	82	48	40	24	24	J	C,E
350x56B	92	82	48	40	26	26	J	D
350x73	109	104	60	48	24	24		D



QUALITY FOR THE VALUE

RUBBER TRACK

▼ TECHNICAL PARAMETERS

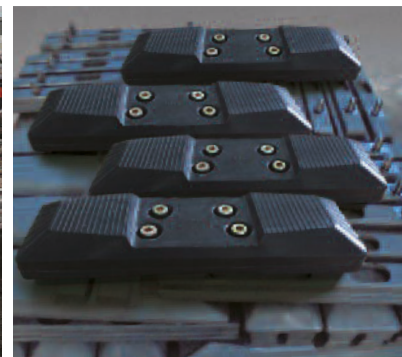
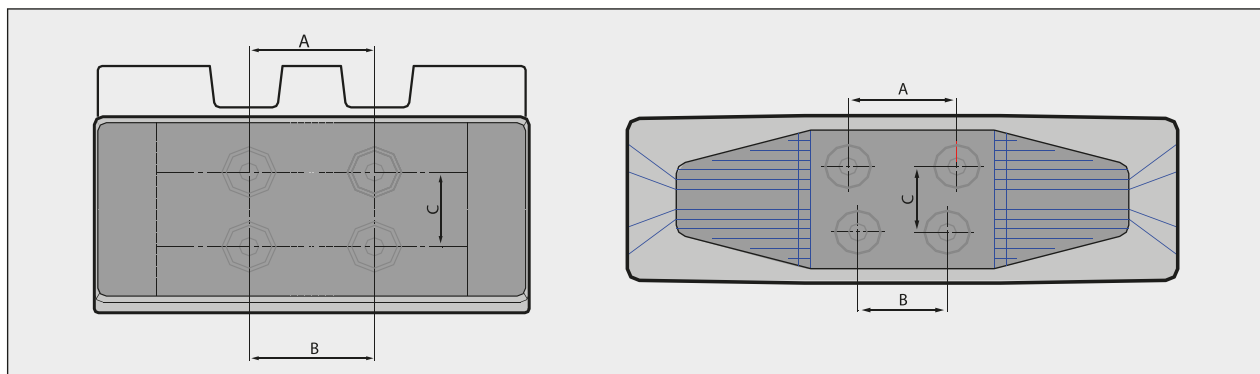
Unit: mm

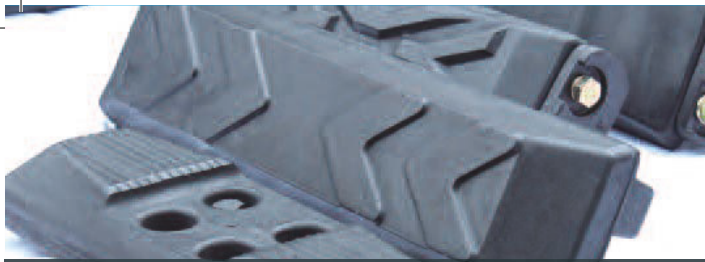
SIZE	A	B	C	D	E	F	PATTERN	ROLLERTYPE
350x75.5	98	88	42	38	24	28	N	D
350x90	82	65	55	40	38	32	T.X	A
350x100	110	86	64	46	46	50		
350x109	88	79	45	41	27	25	I	C.E
370x107	90	82	42	36	29	29	I	D
380x102	231	213	89	70	46	46		A
400x72.5AY	94	82	43	38	28	26	O	D
400x72.5B	96	88	44	40	26	25	O	E
400x72.5C	108	100	58	48	24	21	O	E
400x72.5D	112	102	53	46	24	24	O	E
400x72.5E	86	72	38	28	30	24.5	H	E
400x72.5F	118	106	58	50	28	27	O	E
400x73A	112	103	51	44	30	32	S	E
400x73BY	109	104	60	48	24	24		D
400x74	100	90	48	39	26	30	O	E
400x75.5	98	88	42	38	24	27	N	D
400x86	98	80	64	48	44	34	T	A
400x107	90	82	44	39	29	29	I	D
400x142	90	80	34	28	34	28	I	C.E
400x144	102	90	44	35	30	29	I	C.E
420x100	100	84	64	46	50	36	K	A
450x71	112	102	48	42	28	20	O	C
450x73.5	118	102	50	42	32	34	O	C
450x76	120	110	58	49	30.5	30	J	C
450x81A	120	104	54	46	26	26	O	C
450x81B	132	118	62	55	31	31	O	C
450x83.5A	114	104	54	44	24	26	O	C
450x83.5B	116	102	50	40	24	25	Q	D
450x84	102	82	65	44	45	33	K.L.R	A
450x86	100	80	65	48	45	34	K.L.R	C
450x90	86	63	53	37	45.5	27.5	K	A
450x100	104	80	64	46	51	45	K.L.R	A.B
450x110	120	89	72	46	64	58		
450x163	116	100	50	40	29	33	I	D
460x102	272	260	87	75	46	46		A
485x92	134	126	78	64	31	32	I	D
500x90	94	78	64	48	52	36	K	B
500x92	152	140	76	63	36	40	H	C
600x100	110	83	67	47	60	48	R	B
600x150	165	125	106	62	70	63	R	B
700x100	112	90	70	50	76	59	R	B
750x150	170	136	116	62	92	65	R	B
800x150	145	102	86	62	76	54	R	B

QUALITY FOR THE VALUE

RUBBER PAD

▼ CHAIN-ON TYPE





QUALITY FOR THE VALUE

RUBBER PAD

▼ CHAIN-ON TYPE

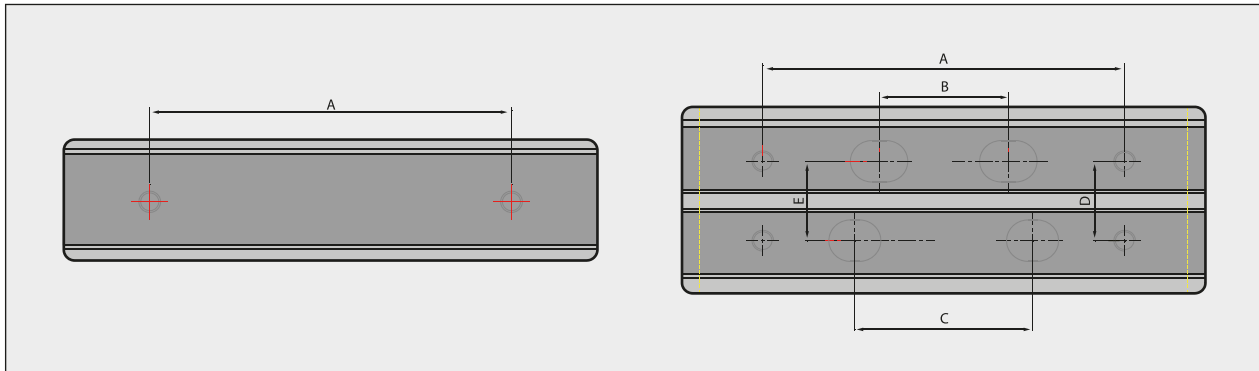
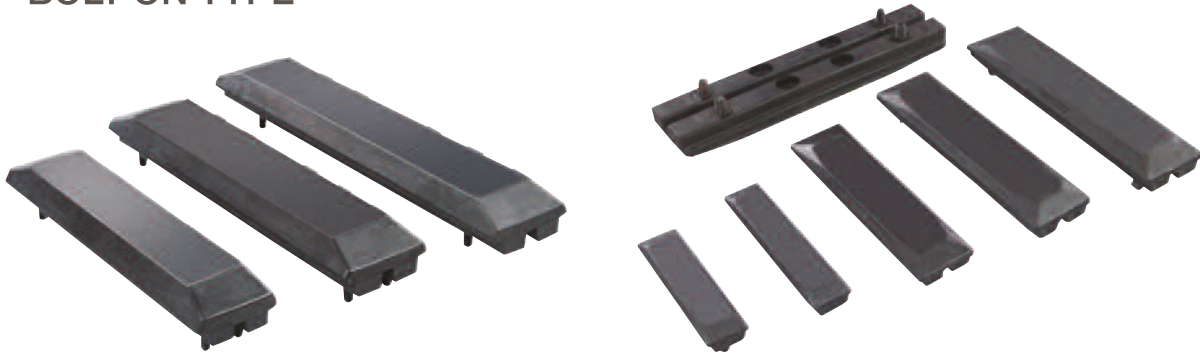
Unit : mm

SIZE	PITCH	EXTERNAL DIMENSION (LENGTH x WIDTH x HEIGHT)			BOLT DIA.	A	B	C
GCH300	155.6	300	182	43	M12	89	89	57.15
GCH320	155.6	320	170	58	M14	104.8	88.9	54.8
GCH307	155.6	307	165	50	M14	104.8	88.9	54.8
GCH400A	135	400	123	60	M12	99	72	43.5
GCH400B	135	400	123	60	M12	94	64	46
GCH400C	135	400	123	60	M12	104	80	46
GCH450A	135	450	123	60	M12	99	72	43.5
GCH450B	140	450	123	65	M12	86	86	52
GCH450C	140	450	123	65	M14	86	86	52
GCH450D	154	450	143	75	M14	89	73	57
GCH450E	154	450	143	75	M14	90	90	55
GCH450F	154	450	143	75	M14	89	89	57
GCH500A	171	500	159	85	M16	108	108	60.3
GCH500B	171	500	159	95	M16	108	108	60.3
GCH500C	175	500	159	85	M16	102.4	86.4	57
GCH500D	175	500	159	95	M16	102.4	86.4	57
GCH600A	171	600	159	85	M16	108	108	60.3
GCH600B	171	600	159	95	M16	108	108	60.3
GCH600C	175	600	159	85	M16	102.4	86.4	57
GCH600D	175	600	159	95	M16	102.4	86.4	57
GCH600E	190	600	175	90	M20	160.4	124.4	62
GCH600F	190	600	175	100	M20	160.4	124.4	62
GCH600G	190	600	175	90	M18	160.4	124.4	62
GCH600H	190	600	175	100	M18	160.4	124.4	62
GCH600I	190	600	175	90	M20	155.6	119.6	69
GCH600J	190	600	175	100	M20	155.6	119.6	69
GCH400D	135	395	145	55	M12	104	80	46
GCH450G	154	450	152	75	M14	89	73	57
GCH500E	171	500	178	85	M16	108	108	60.3
GCH600K	190	600	200	100	M20	160.4	124.4	62
GCH600L	190	600	200	100	M20	155.6	119.6	69

QUALITY FOR THE VALUE

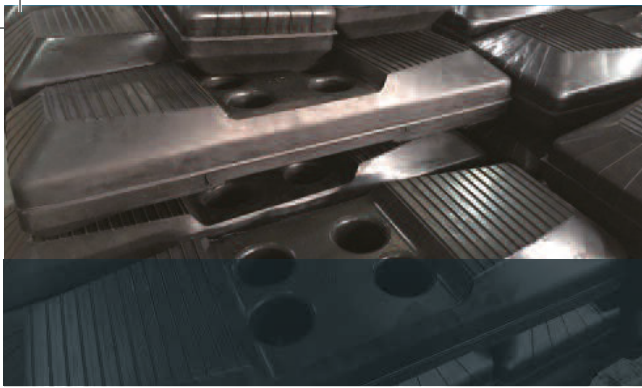
RUBBER PAD

▼ BOLT-ON TYPE



Unit : mm

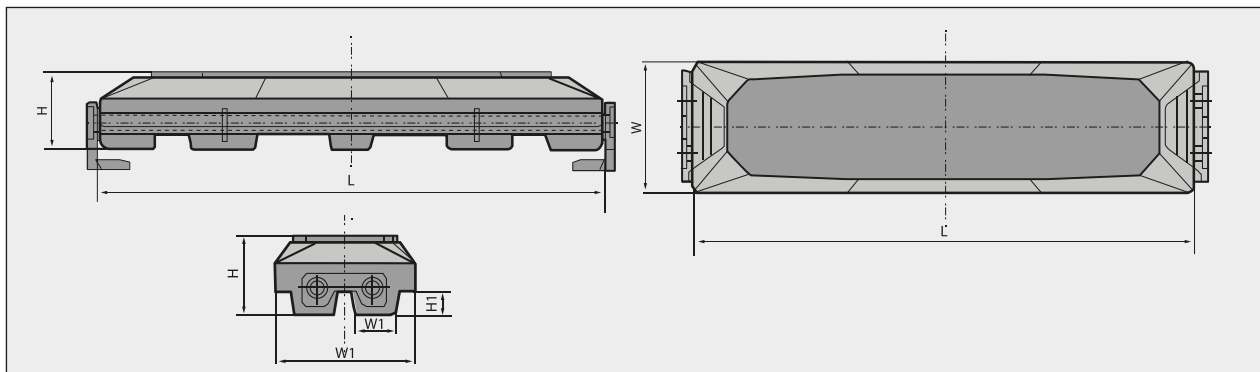
SIZE (PITCHxWIDTH)	EXTERNAL DIMENSION (LENGTH x WIDTH x HEIGHT)			BOLT DIA.	A	B	C	D	E
GBO300	295	35	67	M12	200				
GBO350A	345	36	67	M12	250				
GBO400A	395	36	67	M12	200				
GBO400B	395	36	105	M12	300	72	99	46	46
GBO400C	395	38	100	M12	300	72	99	46	46
GBO450A	445	36	105	M12	350	73	102	46	46
GBO450B	445	44	105	M12	350	83	83	53	52
GBO450C	445	45	125	M14	350	82	90	58	58
GBO320	320	132	52	M14	220	104.8	88.9		54.8
GBO380	375	53	135	M16	280	106	125	60.32	59
GBO500A	495	58	135	M16	400	97	105	60.32	59
GBO500B	495	54	130	M16	400	97	104.5	57	58
GBO600A	595	72	150	M20	400	122	156	69	68
GBO600B	595	80	145	M16	500	145	125	58	59
GBO700	695	80	165	M16	600	160	135	76	75
GBO800	795	80	165	M16	588	160	135	76	75
GBO450D	445	45	125	M14	350	134	148	58	57



QUALITY FOR THE VALUE

RUBBER PAD

▼ CLIP-ON TYPE



Unit : mm

SIZE (PITCHxWIDTH)	PITCH	LENGTH	WIDTH	HEIGHT	W1	H1
GCL300	101	300	61	41.5	38	17.5
GCL400	135	400	110	60	31	21
GCL450	154	450	128	65	39	21
GCL500A	171	500	130	57	43	21
GCL500B	175	500	127	64	34	25
GCL600A	171	600	130	57	43	21
GCL600B	175	600	127	57	34	25
GCL600C	190	600	148	83	42	26
GCL700A	175	700	140	74	34	27
GCL700B	190	700	164	90	39	32

